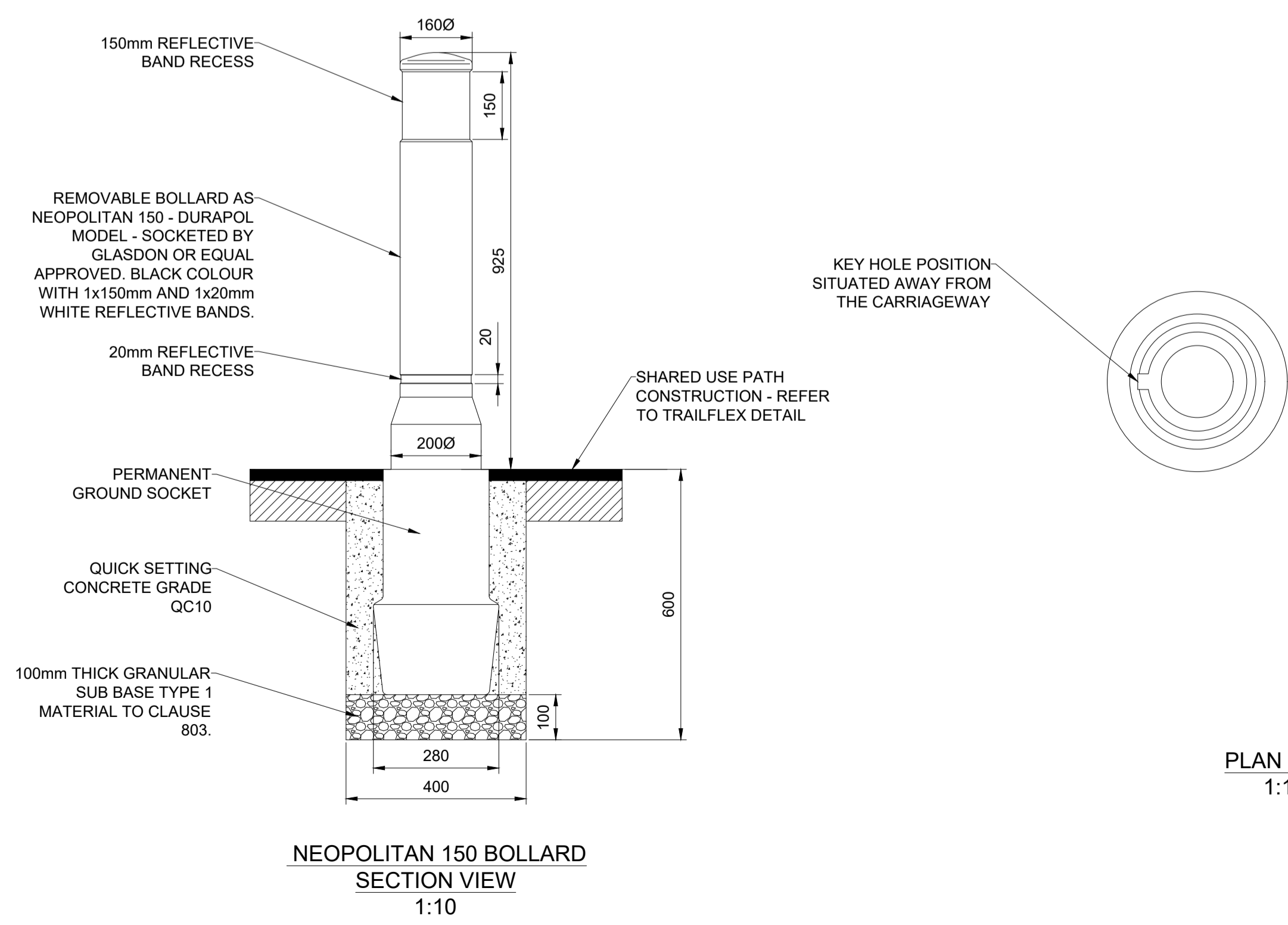
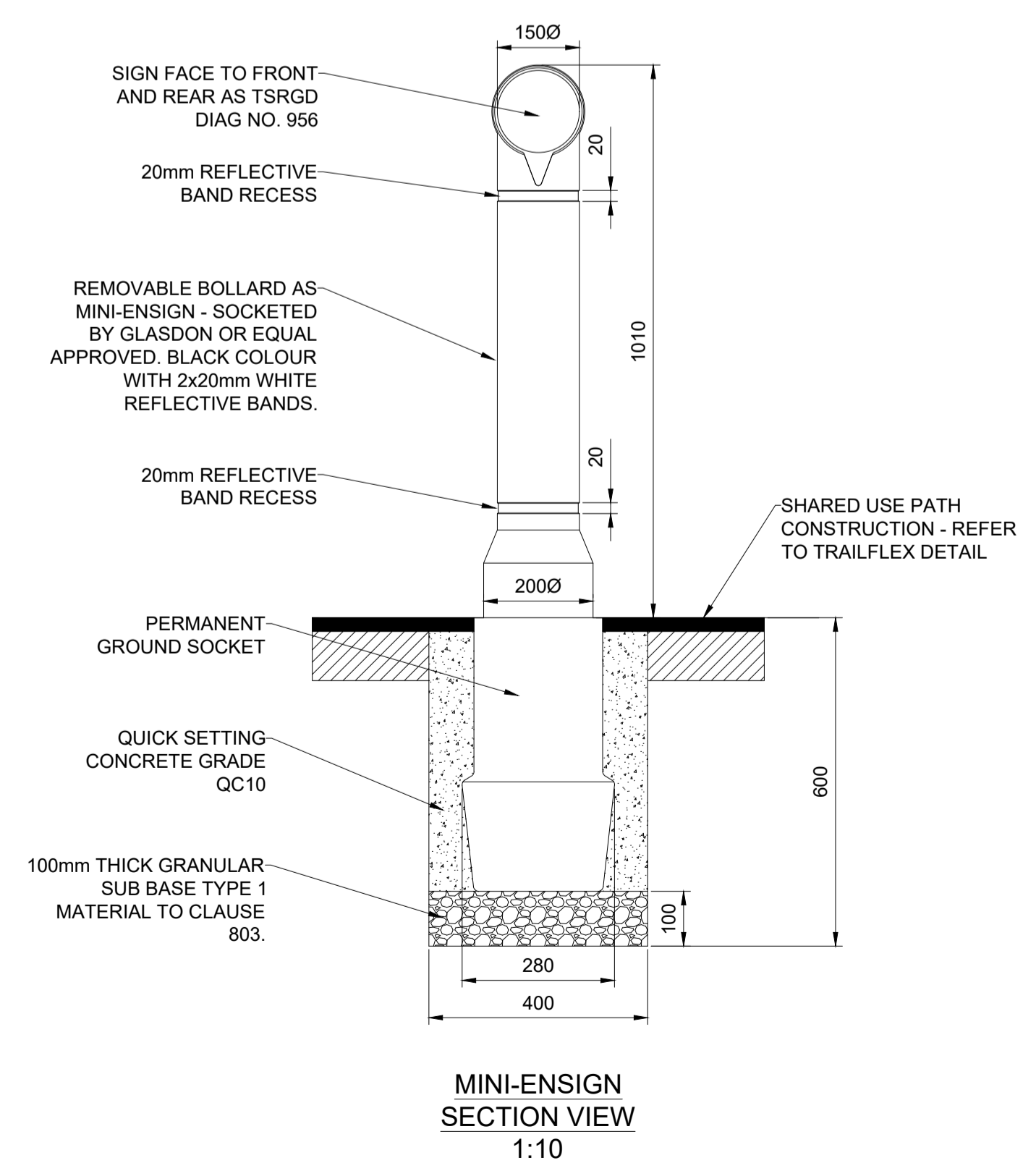


3 RAIL FENCE
SCALE 1:20



NEOPOLITAN 150 BOLLARD
SECTION VIEW
1:10



MINI-ENSIGN
SECTION VIEW
1:10

NOTES:
1. ALL DIMENSIONS ARE IN MILLIMETRES UNLESS OTHERWISE STATED.
2. DO NOT SCALE FROM DRAWING. USE FIGURED DIMENSIONS ONLY.

Rev	Date	Description	Prod.	Chk.	Rev.	App.
P01	18/10/24	FIRST ISSUE	DD	MP	SD	MG

VALE of GLAMORGAN
BRO MORGANWGI

Project: **Sully to Cosmeston ATR**

Site: **Sully to Cosmeston Cardiff**
Client: **Vale of Glamorgan Council
Cynfor Bro Morgannwg
Civic Offices, Holtton Road
Barry - CF63 4RU
www.valeofglamorgan.gov.uk**

ARCADIS

Registered office: **80 Fenchurch Street London EC3M 4BY**
Coordinating office: **Arcadis Suite 4d, 4th Floor, Hodge House 144-166 St Mary St, Cardiff CF10 1DY
Tel: 44 (0)29 2092 6700**

www.arcadis.com © Copyright reserved

FENCING & BOLLARD CONSTRUCTION DETAILS

Designed: D. Doyle	Signed: Digitally Signed	Date: 18/10/24
Produced: D. Doyle	Signed: Digitally Signed	Date: 18/10/24
Checked: M. Pearson	Signed: Digitally Signed	Date: 18/10/24
Reviewed: S. Davies	Signed: Digitally Signed	Date: 18/10/24
Approved: M. Griffiths	Signed: Digitally Signed	Date: 18/10/24
Design Stage: Detailed Design		
Original Size: A1	Grid: OS	Datum: ODN
Suitability Code: S3	Scale: AS SHOWN	Project Number: 10056562

Suitable for Review and Comment

Drawing Number: **10056562 - ARC - AT - 030 - DR - C - 00001** Revision: **P01**